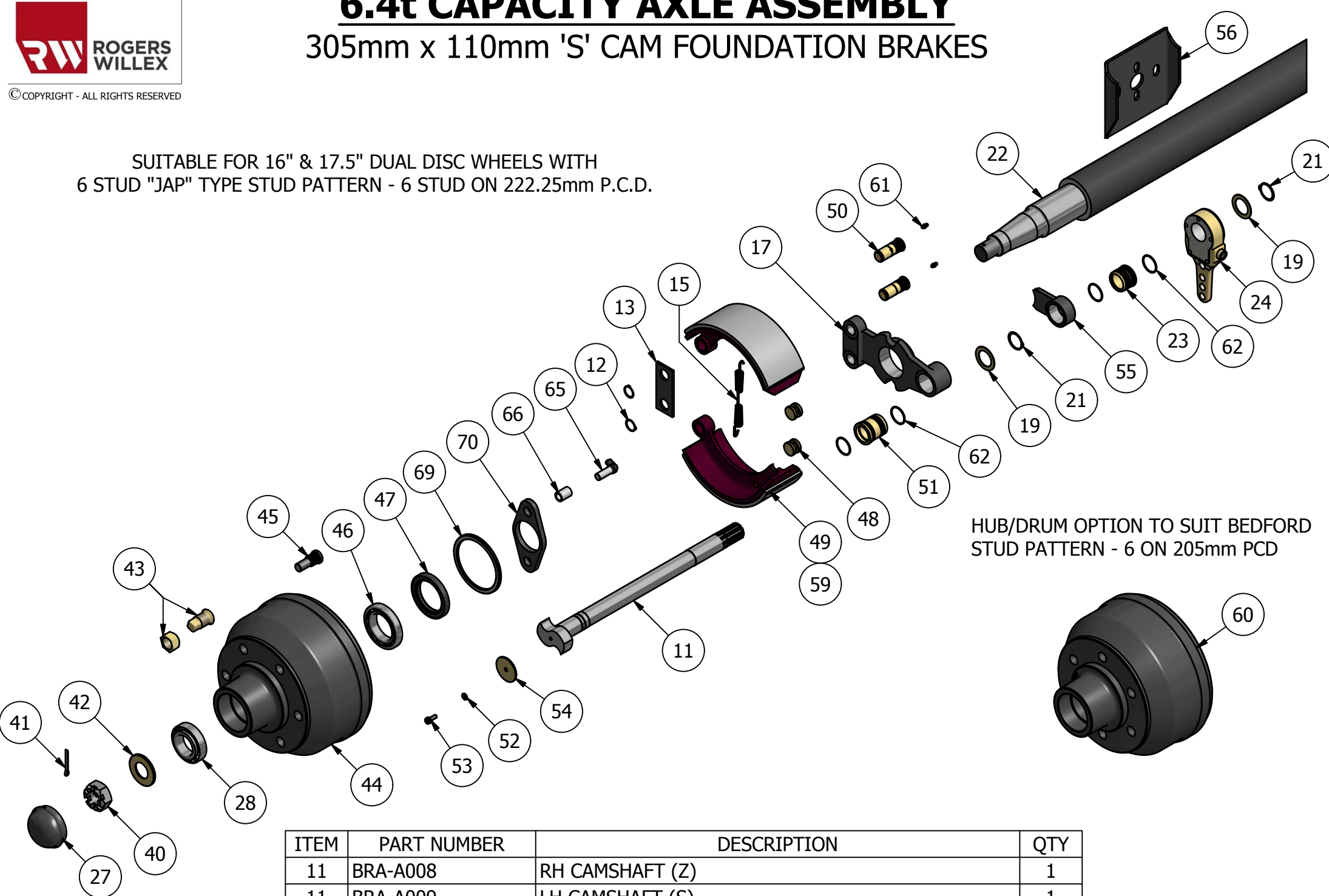


6.4t CAPACITY AXLE ASSEMBLY

305mm x 110mm 'S' CAM FOUNDATION BRAKES

SUITABLE FOR 16" & 17.5" DUAL DISC WHEELS WITH
6 STUD "JAP" TYPE STUD PATTERN - 6 STUD ON 222.25mm P.C.D.



HUB/DRUM OPTION TO SUIT BEDFORD
STUD PATTERN - 6 ON 205mm PCD

ITEM	PART NUMBER	DESCRIPTION	QTY
11	BRA-A008	RH CAMSHAFT (Z)	1
11	BRA-A009	LH CAMSHAFT (S)	1
12	BRA-A005	1" CIRCLIP	4
13	BRA-A019	BRAKE SHOE ANCHOR PLATE	2
15	BRA-A004	BRAKE RETURN SPRING	2
17	BRA-C012	BRAKE SPIDER	2
19	BRA-A018	1 1/2" CAMSHAFT SHIM WASHER	8
21	BRA-A013	1 1/2" CIRCLIP	4
22		AXLE STUB	1
23	BRA-A020	CAMSHAFT SUPPORT BRACKET BUSH	2
24	BRA-A015	SLACK ADJUSTER	2
27	GEN-CAP05	90mm GREASE CAP	2
28	BEA-B32210J	BEARING CUP & CONE	2
40	GEN-NSF24	1 1/2" UNF CASTELLATED AXLE NUT	2
41	GEN-SP002	SPLIT PIN SUIT 1 1/4" AXLE NUT	2
42	GEN-WBF24	1 1/2" HARDENED AXLE WASHER	2
43	GEN-WSBUDD	SLEEVE BUDD STUD & NUT	12
44	HUB-7001XJ	305 x 80 HUB/DRUM	2
45	GEN-WS12	3/4" UNF WHEEL STUD	12
46	BEA-JLM710949/10	BEARING CUP & CONE	2
47	GEN-SPR8379	GREASE SEAL-7001 HUB	2
48	BRA-C023	CAM ROLLER	4
49	BRA-C001	PAIR 305 x 80 BRAKE SHOES	2
50	BRA-C007	BRAKE SHOE ANCHOR PIN	4
51	BRA-C010	SPIDER BUSH	2
52	GEN-BBSW0516	SPRING WASHER	2
53	BRA-A022	M8 BOLT	2
54	BRA-A021	CAM ROLLER RETAINER WASHER - CAMSHAFT MOUNT	2
55	BRA-A014	CAMSHAFT SUPPORT BRACKET	2
56	COM-A156A	5" BOOSTER BRACKET	2
59	BRA-C002	305 x 110 BRAKE LINING SEGMENT	4
60	HUB-7001XJ-B	ONE PIECE HUB/DRUM - 6 ON 205 mm PCD PATTERN	2
61	BRA-A011	1/4" GREASE NIPPLE	4
62	BRA-A024	O RING	8
65	BRA-RC103-SB	ABS SENSOR	2
66	BRA-RC103-SS-SC	ABS SENSOR BUSH	2
69	BRA-C003	POLE WHEEL JAP DUAL	2
70	BRA-C029	ABS SENSOR BRACKET	2